

## 12路LED PWM驱动器

### 12-CHANNEL LED PWM DRIVER

#### ■ FEATURES

- Input voltage range VCC: 2.5V to 5.5V
- I<sup>2</sup>C interface, automatic address increment function
- Four selectable I<sup>2</sup>C addresses (HTR3212F)
- Internal soft reset register
- Modulate LED brightness with 256 steps PWM
- Each channel can be controlled independently
- Each channel can be scaled independently by 1, 1/2, 1/3 and 1/4
- PWM frequency selectable
- 3kHz (default)
- 22kHz
- Pb-free Packages, QFN20L-3×3
- 输入电压范围VCC: 2.5V-5.5V
- I<sup>2</sup>C接口, 支持连续写数据
- 4个I<sup>2</sup>C地址可选 (HTR3212F)
- 内置软件复位寄存器
- 每路LED支持256阶 PWM亮度调节
- 12路 LED 独立控制
- 12路 LED 最大电流独立控制, 4档可选
- 2档调制频率可选, 3kHz(默认)和22kHz
- QFN20L-3×3, 无铅封装

#### ■ APPLICATIONS

- Smart Speakers
- Wireless Speakers
- Mobile phones and other hand-held devices for LED display
- LED in home appliances
- 智能音响
- 无线音响
- 带LED显示的手机和掌上设备
- 家电类LED显示

#### ■ DESCRIPTION

HTR3212 is comprised of 12 constant current channels each with independent PWM control, designed for driving LEDs, PWM frequency can be 3kHz or 22kHz. The output current of each channel can be set at up to 38mA (Max.) by an external resistor and independently scaled by a factor of 1, 1/2, 1/3 and 1/4. The average LED current of each channel can be changed in 256 steps by changing the PWM duty cycle through an I<sup>2</sup>C interface.

The chip can be turned off by pulling the SDB pin low or by using the software shutdown feature to reduce power consumption.

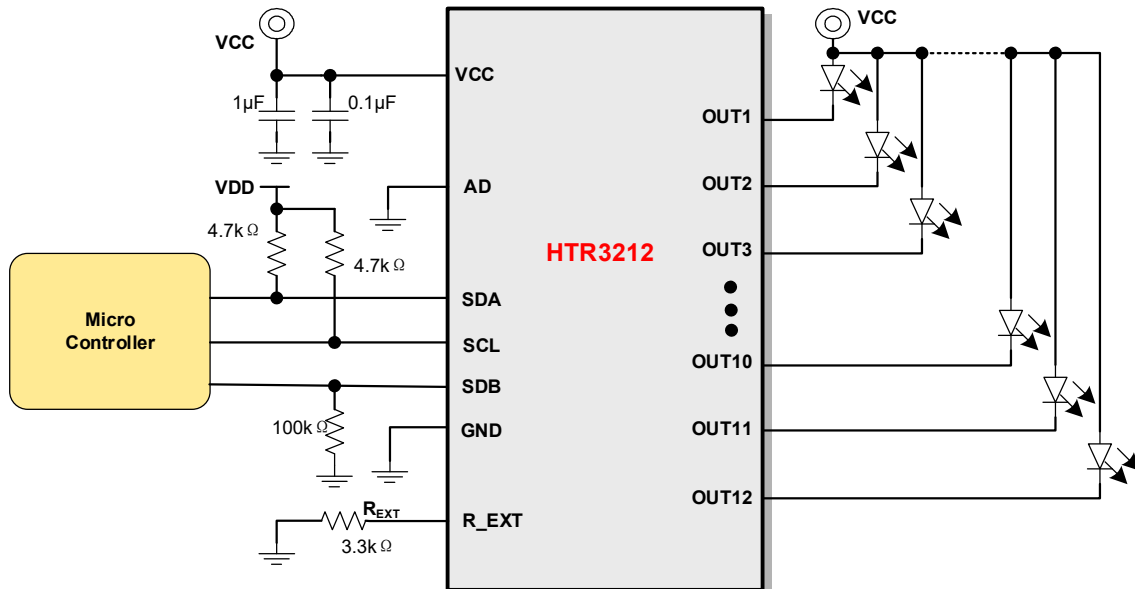
HTR3212 is available in QFN-20L (3mm×3mm) packages. It operates from 2.5V to 5.5V over the temperature range of -40°C to +85°C.

HTR3212是一款12路LED PWM驱动器, PWM频率可固定为3kHz或22kHz。每一路最大输出电流可通过外置电阻R<sub>EXT</sub>调节, 最大38mA, 并可独立控制4档可选。每一路可通过I<sup>2</sup>C单独控制256级细腻亮度调节。

主控器件通过I<sup>2</sup>C接口对HTR3212进行编程控制, 通过将SDB脚拉低或软件设置可关断芯片, 进入低功耗模式。

HTR3212使用QFN-20L(3mm×3mm)封装。工作电压在2.5V到5.5V, 可在-40°C to +85°C工作。

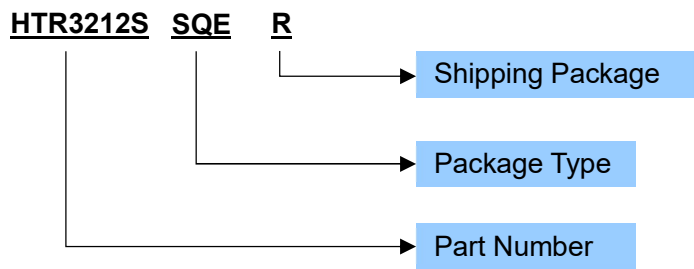
■ TYPICAL APPLICATION



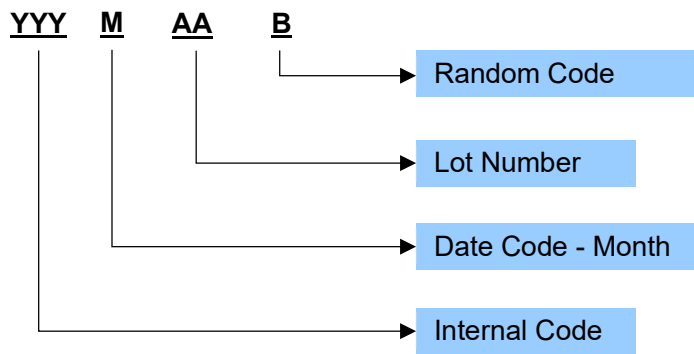
**ORDERING INFORMATION**

Ordering Number	Package Type	Marking	Operating Temperature Range	Shipping Package / MOQ
HTR3212FSQER	QFN20L-3×3	HTR3212F YYYMAAB <sup>1</sup>	-40℃~85℃	Tape and Reel / 5000pcs
HTR3212SSQER	QFN20L-3×3	HTR3212S YYYMAAB	-40℃~85℃	Tape and Reel / 5000pcs

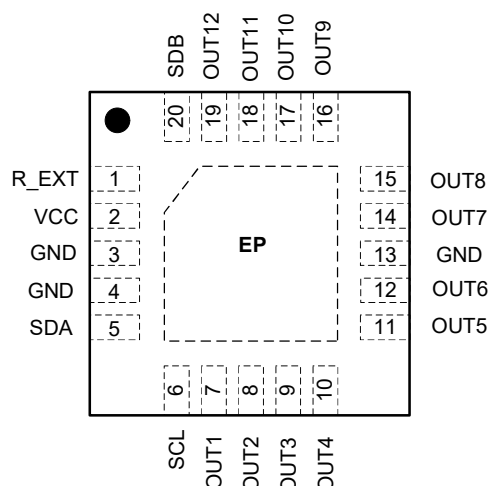
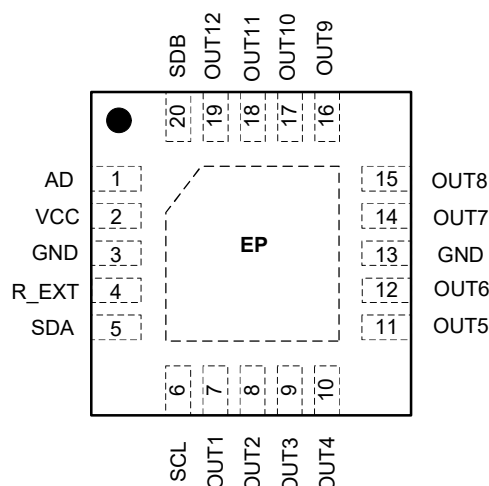
**Ordering Number**



**Production Tracking Code**



<sup>1</sup> YYYMAAB is production tracking code

**■ TERMINAL CONFIGURATION**

**HTR3212S Top View**

**HTR3212F Top View**
**■ TERMINAL FUNCTION**

Terminal No.		Name	Description
HTR3212S	HTR3212F		
/	1	AD	I <sup>2</sup> C address setting. I <sup>2</sup> C器件地址选择
2	2	VCC	Power supply. 电源输入端, 接0.1uF和1uF电容到地
3,4,13	3,13	GND	Ground. 地
1	4	R_EXT	Input terminal used to connect an external resistor. This regulates the global output current. 每一路通道最大电流 I <sub>MAX</sub> 控制引脚, 外接R <sub>EXT</sub> 电阻到地, $I_{MAX} = 63.3 \times \frac{1.2V}{R_{EXT}}$
5	5	SDA	I <sup>2</sup> C serial data. I <sup>2</sup> C时钟, 需接上拉电阻 (建议4.7k), 1.8V/3.3V系统均可使用
6	6	SCL	I <sup>2</sup> C serial clock. I <sup>2</sup> C数据, 需接上拉电阻 (建议4.7k), 1.8V/3.3V系统均可使用
7~12	7~12	OUT1~OUT6	Output channel 1~ 6 for LEDs. 输出通道1~6
14~19	14~19	OUT7~OUT12	Output channel 7~ 12 for LEDs. 输出通道7~12
20	20	SDB	Shutdown the chip when pulled low. 关断芯片, 低电平有效。需接100k下拉电阻, 使开机默认为低电平的GPIO控制。芯片关断后, I <sup>2</sup> C仍可对寄存器进行写操作。
/	/	Exposed Thermal Pad	Connect to GND. 接地散热。

**IMPORTANT NOTICE****注意**

Jiaxing Heroic Electronic Technology Co., Ltd (HT) reserves the right to make corrections, modifications, enhancements, improvements, and other changes to its products and services at any time and to discontinue any products or services. Customers should obtain the latest relevant information before placing orders and should verify that such information is current and complete.

嘉兴禾润电子科技有限公司（以下简称HT）保留对产品、服务、文档的任何修改、更正、提高、改善和其他改变，或停止提供任何产品和服务的权利。客户在下单和生产前应确保所得到的信息是最新、最完整的。

HT assumes no liability for applications assistance or customer product design. Customers are responsible for their products and applications using HT components.

HT对相关应用的说明和协助以及客户产品的板级设计不承担任何责任。

HT products are not authorized for use in safety-critical applications (such as life support devices or systems) where a failure of the HT product would reasonably be expected to affect the safety or effectiveness of that devices or systems.

HT的产品并未授权用于诸如生命维持设备等安全性极高的应用中。

The information included herein is believed to be accurate and reliable. However, HT assumes no responsibility for its use; nor for any infringement of patents or other rights of third parties which may result from its use.

本文中的相关信息是精确和可靠的，但HT并不对其负责，也不对任何可能的专利和第三方权利的侵害负责。

Following are URLs and contacts where you can obtain information or supports on any HT products and application solutions:

下面是可以联系到我公司的相关链接和联系方式：

**嘉兴禾润电子科技有限公司****Jiaxing Heroic Electronic Technology Co., Ltd.**

地址：浙江省嘉兴市凌公塘路3339号JRC大厦A座三层

Address: A 3rd floor, JRC Building, No. 3339, LingGongTang Road, Jiaxing, Zhejiang Province

Sales: 0573-82585539, 0573-82586608, 0573-82585283, sales@heroic.com.cn

Support: 0573-82586151, support@heroic.com.cn

Fax: 0573-82585078

Website: www.heroic.com.cn; wap.heroic.com.cn

Wechat MP: HEROIC\_JX

请及时关注禾润官方微信公众号，随时获取最新产品信息和技术资料！

